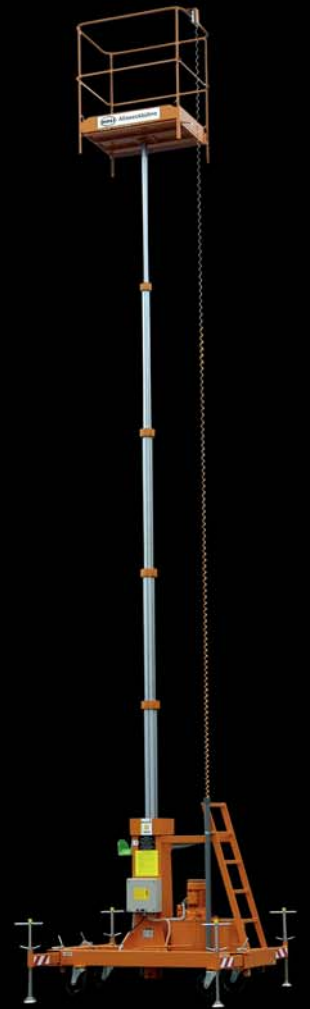




ALL PURPOSE PLATFORMS



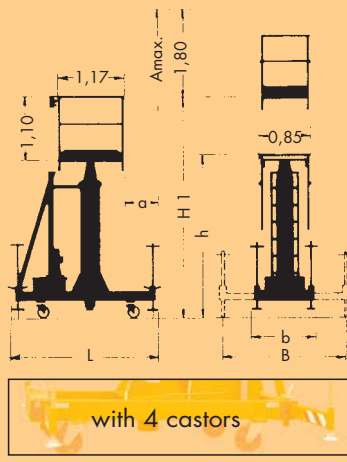
KULI LIFT



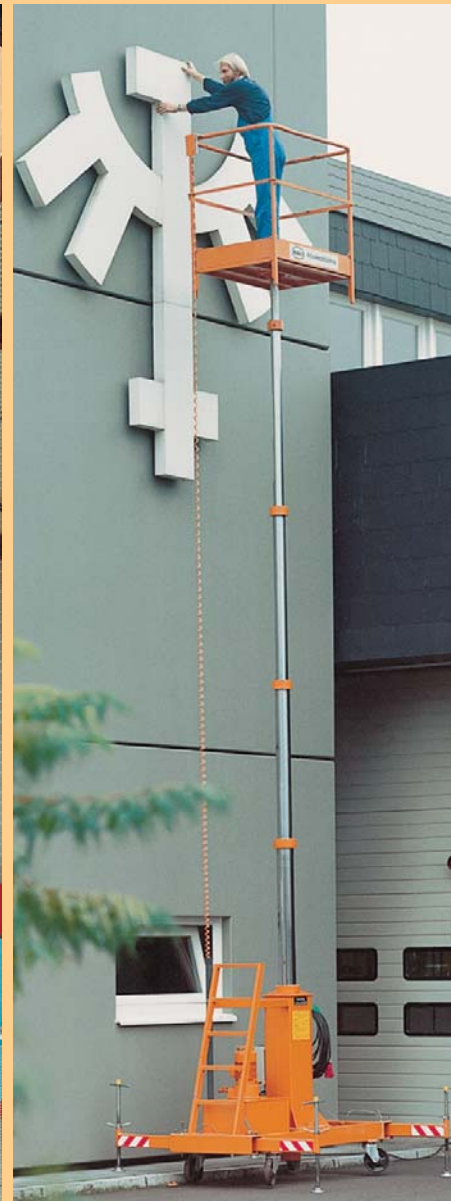
**All Purpose Platform
Type KA 6 - KA 14**

castor range

Favourable overall dimensions allow easy manoeuvring through narrow doors and twisty passages. Compact design and close wall approach permit universal usage. Easy one-person operation, a few moves next to no time make the platform ready for instant use: simple setting of stabilisers, pulling up the hand railing and connecting to current supply.



Type	KA 6	KA 8	KA 9	KA 10	KA 12	KA 14
Capacity	kg 300 kg = 2 persons + 140 kg material					
A max.	m 6.5	m 7.8	m 9.0	m 10.1	m 11.9	m 13.6
H1	m 4.7	m 6.0	m 7.2	m 8.3	m 10.1	m 11.8
h	m 1.96	m 1.96	m 1.96	m 1.96	m 2.59	m 2.59
b	m 0.93	m 0.93	m 0.93	m 0.93	m 1.10	m 1.10
L	m 1.98	m 1.98	m 1.98	m 1.98	m 2.26	m 2.26
B	m 1.82	m 1.82	m 1.82	m 1.82	m 1.99	m 1.99
a	m 0.34	m 0.34	m 0.34	m 0.34	m 0.42	m 0.42
Dead weight	kg 620	kg 650	kg 690	kg 735	kg 895	kg 990
Supply voltage	400 V or 230 V					
Special equipment on request						



45 years of experience and most modern technical know-how result in the approved design of electro-hydraulic KULI All Purpose Platforms.

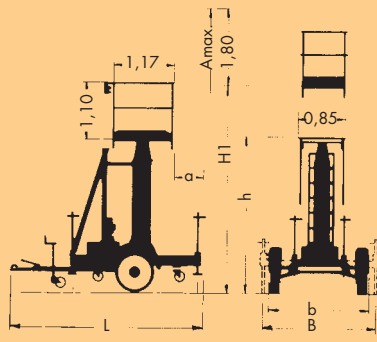
They allow safe overhead access in workshops or outside installations, even in areas of difficult reach. They conform with all safety requirements as per German UVV-Cranes BGV D6 § 10 specifying the use of stable and safe working platforms.

The high stability matches the requirement as per EN 280 allowing safe working up to wind forces gale 6.

Based on these high safety requirements the platforms offer universal application for all assembling, maintenance, repair and cleaning work.

All Purpose Platform Type KF 6 - KF 14

trailer mounted range,
model "Vario"
for easy transportation over
long distances, with hitch for
cars or pick-ups, with coup-
pling for trucks.
If required, the trailer can be
detached, the compact plat-
form can be used in narrow
spaces too.



with detachable
trailer

Type	KF 6	KF 8	KF 9	KF 10	KF 12	KF 14
Capacity	kg 300 kg = 2 persons + 140 kg material					
A max.	m 6.7	m 8.0	m 9.2	m 10.3	m 12.2	m 13.9
H1	m 4.9	m 6.2	m 7.4	m 8.5	m 10.4	m 12.1
h	m 2.04	m 2.04	m 2.04	m 2.04	m 2.70	m 2.70
b	m 1.60	m 1.60	m 1.60	m 1.60	m 1.85	m 1.85
L	m 2.98	m 2.98	m 2.98	m 2.98	m 3.40	m 3.40
B	m 1.82	m 1.82	m 1.82	m 1.82	m 1.99	m 1.99
a	m 0.34	m 0.34	m 0.34	m 0.34	m 0.42	m 0.42
Dead weight	kg 725	kg 755	kg 800	kg 850	kg 1100	kg 1190
Supply voltage	400 V or 230 V					
Special equipment on request						



The honed and ground telescopic mast has an anti-pivoting device in form of key and keyway inside the tubes.

The retracted tube sections are entirely surrounded by hydraulic fluid so protected against corrosion. Additionally a long lifetime is given by hardchrome-plating of the tubes as a standard feature.

All control elements inclusive the manually operated emergency lowering valve are integrated into the hydraulic monoblock.

The application of that platforms saves on scaffolding costs or breakdown times.

To date more than 14.000 KULI All Purpose Platforms are in use all over the world, a clear evidence for their reliability, safety, economical viability and advanced engineering.



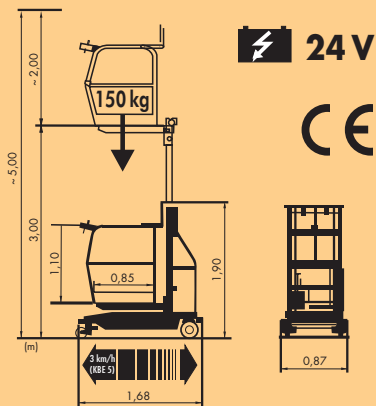
Member of F.E.M. (Germany)



KULI Lift KBE 5 / KB 5

Mobility and safe working on appropriate height

- Working height till abt. 5 m
- **KBE 5** → Electrically self-propelled type
- **KB 5** → Manually pushable type
- Easy access from floor
- Full stability without stabilisers
- Quick readiness for use
- Operation independant from mains power supply by maintenance-free gel-type batteries (KBE5), by low-maintenance block batteries (KB5)
- Joy stick stepless travel control from basket (KBE5)
- Push button control for lifting / lowering
- Large size tray located at basket
- Electro-hydraulic lifting
- Warning colour RAL 3000
- Incl. built-in battery charger



Type		KBE 5	KB 5
Capacity	kg	150	150
Platform height	m	3,0	3,0
Working height	m	5,0	5,0
Travel speeds	km/h	3/1	-
Size of basket	mm	600x850x1 100	600x850x1 100
Battery	Volt	24 V	24 V
Dead weight	kg	680	470

Whether for repairs or maintenance, for erection or storing into shelves - the KULI Lift is always on appropriate height!



Electric Hoists
Crane Components
E.O.T. Cranes
Underslung Cranes
Gantry Cranes
Hydraulic Working Platforms

HELMUT KEMPKE

KULI - LIFTING EQUIPMENT

Bismarckstraße 59
D-42853 Remscheid
export@kuli.com

Germany

Tel. +49(0)21 91 / 43 4-0
Fax +49(0)21 91 / 43 445
www.kuli.com